
UN-CERTIFICATE

FOR PACKAGING

(TRANSPORTATION OF DANGEROUS GOODS)

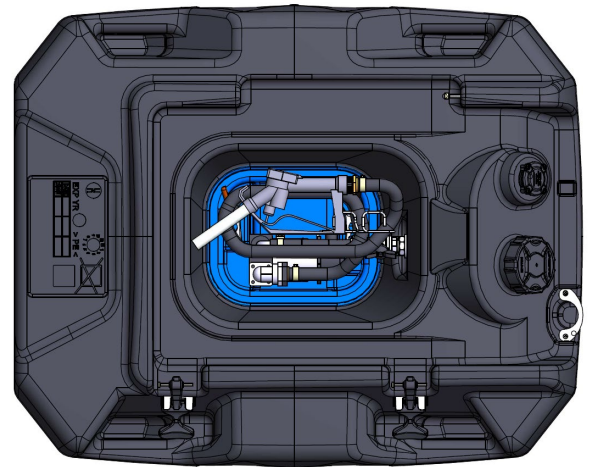
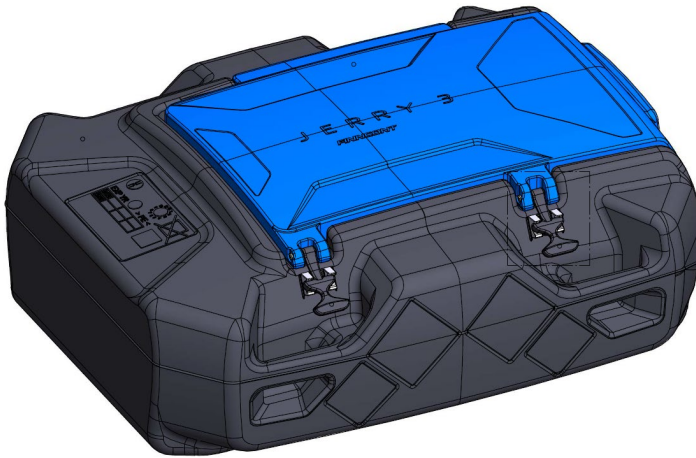
Number of certificate EESF23FIT

Holder of certificate Finncont Oy
P.O. Box 44
FI-34801 VIRRAT, Finland

Manufacturer Finncont Oy
P.O. Box 44
FI-34801 VIRRAT, Finland

Product	
Packaging code	31H2
Description	Rigid plastic IBC
Material	MDPE
Couplings and closings	DN100 coupling, Finncont D110 cork 2" coupling, one piece ¾" coupling, one piece
Dimensions (informed by customer)	Capacity 250 l Length x Width x Height 975 mm x 1200 mm x 440 mm Wall thickness ≥ 4 mm Tare weight 31 kg Gross mass 330 kg

Pictures



Marking on the packaging

 31H2/Z/MOYR/FIN/EESF23FIT/0/330

MOYR to be replaced with the month and the year (last two digits) of the manufacture.

The packages shall also be equipped with a corrosion-resistant signboard where shall be marked (ADR, 6.5.2.2.1):

Capacity in litres at 20 °C

Tare mass in kg

Test (gauge) pressure in kPa or bar

Maximum filling / discharge pressure in kPa or bar, if applicable

Date of last leakproofness test, if applicable

Date of last inspection (month and year)

Maximum permitted stacking load. The stacking load shall be displayed on a symbol, IBCs capable of being stacked or IBCs NOT capable of being stacked, according to ADR 6.5.2.2.2.

Regulations (used)

ADR, European Agreement Concerning the International Carriage of Dangerous Goods by Road, Volume II

RID, Regulations concerning the International Carriage of Dangerous Goods by Rail

IMDG CODE, International Maritime Dangerous Goods Code

Finnish Transport and Communications Agency Regulation on the Transport of Dangerous Goods by Road/Rail

Regulations by the Finnish Maritime Administration on the transport of dangerous goods as bulk cargo by sea

Test pressure

100 kPa

Packaging group

III

Packaged liquid

Diesel or fuel oil, UN 1202

Density

Max. 1.2 kg/dm³

Approval tests	ADR European Agreement Concerning the International Carriage of Dangerous Goods by Road Volume II:	6.5.6.4, 6.5.6.5, 6.5.6.7, 6.5.6.8, 6.5.6.9, 6.5.6.13
Certificate is valid until	18.04.2028	
Date and Place	18.04.2023 Espoo, Finland	
Signatures	Tiina Tirkkonen ADR Inspection Body, Senior Expert	Katja Vahtikari ADR Inspection Body, Manager, Construction Certification

Electrically approved document in www.sertifikaattihaku.fi service (search e.g. with document number)

This certificate is valid until April 18, 2028 on condition that there is no modification which alters the design, material or the manner of construction of a packaging and the manufacturer and Eurofins Expert Services have a valid contract on certification. Inquiries concerning the validity of the certificate may be addressed to Eurofins Expert Services. Other conditions are listed below.

Documents based upon for approval	Report id.	Date	Issued by	Scope
	EUF129-23000192-T1	12.04.2023	Eurofins Expert Services Oy	Type testing
History of the certificate	First issue			

Conditions of the certificate:

The IBC can be used for transporting liquid substances of type diesel or fuel oil of the packaging group III with maximum density of 1.2 kg/dm³. The vapour pressure of the packaged substance may not exceed 100 kPa at +50 °C.

When the maximum allowed filling capacity is determined the expansion volume required for diesel fuel / fuel oil of the capacity of the packaging shall be accounted for.

The service equipment of IBCs shall be so positioned or protected, that they are not susceptible to external damage during handling and carriage. For example, the filling pipe shall be fastened on the IBC during carriage (entanglement hazard).

The requirements on pressure-relief are presented in ADR Chapter 6.5.5.1.7.

Before it is put into service (including after remanufactured), at intervals of not more than two and a half years and after possible repairing every IBC's shall be inspected according to ADR 6.5.4.4.

Where reference is made in this certificate to any regulations, publications, standards or other documents, it shall be construed as a reference to such publication in the form of which it is in force at the date of this certificate.

The manufacturer is responsible for the quality and continuous quality control of the product. In granting this certificate, Eurofins Expert Services does not accept responsibility to any person or body for any loss or damage incurred in respect of personal injury arising as direct or indirect result of the use of this product.

The use of the name of Eurofins Expert Services or the name Eurofins in any other form in advertising or distribution in part of this certificate is only permissible with written authorisation from Eurofins Expert Services.